

PREFACE

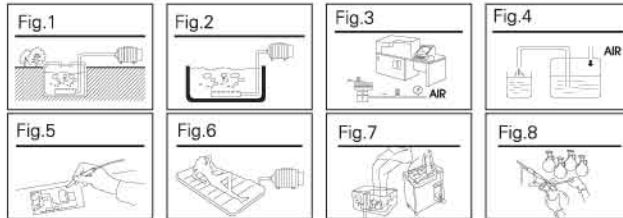
Thank you for purchasing HAILEA brand ACO series electrical magnetic air compressor. For optimum performance and safety, please read this manual carefully and keep it handy for future reference.

USING RANGE

It's used for planting aquarium plant, aerating for seafood in hotels, restaurants, seafood booth and feeding pool, etc. It's also used for air supply spare parts of food machine, bathing pool, medical instrument, belching paint, making and designing advertising lamp and new type LPG and LNG, etc.

APPLICATION

Fig1. Water treatment Fig2. Air supply for aquarium Fig3. Printer
Fig4. Liquid transmission Fig5. Spare parts cleaning Fig6. Air bed
Fig7. Medical equipment Fig8. Manufacture

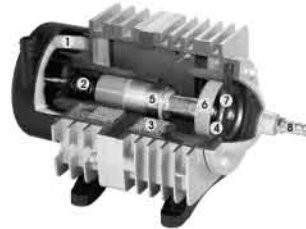


FEATURES

1. The case is made of high-quality ZL 102 aluminum alloy with radiator, heat-dissipation is more effective.
2. Driven by electric magnetic motor, adopt straight-line reciprocal motion to produce air and more reasonable in structure.
3. Adopt SF new-type wearing-resistant material for the cylinder and piston, which is of low power consumption.
4. Non-oil lubricating design, the compressed air is purified.
5. Constant temperature and pressure operation to ensure reliable performance.

PARTS LISTS

- 1 Air Inlet Filter
- 2 Spring
- 3 Motor Coils
- 4 Cylinder
- 5 Rotor
- 6 Piston
- 7 Inlet & Outlet Valves
- 8 Air Outlet Adaptor

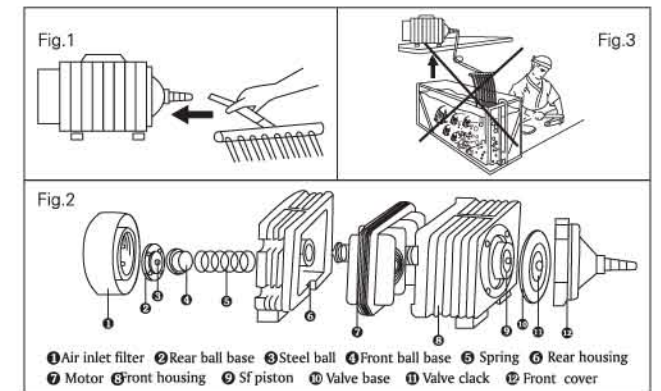


HOW IT WORKS

When the electromagnetic coils are energized by AC power, a magnetic force is generated. Under the action of this magnetic force and the pressure spring, the piston moves reciprocally so that the volume of cylinder changes. This leads to the automatic opening and shutting of the inlet and outlet valves and thus achieves the work cycle of taking in, compressing and discharging.

OPERATION

1. Connect the outlet hose to the distributor and start the unit. For using in aquatic breeding pond, the outlet hose may be connected to pipe distributors for air stone or air curtain. Each unit can supply air to 6-12 pipes. (Fig.1)
2. In case the outlet air is reduced or without air outlet, check the connecting parts for leakage, or disconnect the plug, remove the front cover, the valve and the valve base, wash away the dust with water, remount with care after dry (Refer to the diagram).
3. If the unit does not work after connecting to the power source, in most cases the connecting point of the diode is broken or obvious shifting happens between the gap of the motor's piston and housing due to the rough transportation, reassembly of all parts is needed for resuming normal operation. (Fig.2)
4. When making the connection, adjust the length of the air outlet on the compressor and the air intake on the aquarium (or pond) to ensure the hose is not kinked or blocked. (Fig.3)
5. When the work area is removed from the power source, use an extension cord of sufficient thickness and rated capacity. The extension cord should be kept as short as practicable.
6. Regularly inspect all mounting screws and ensure that they are properly tightened. Should any of the screws be loose, relighted them immediately.

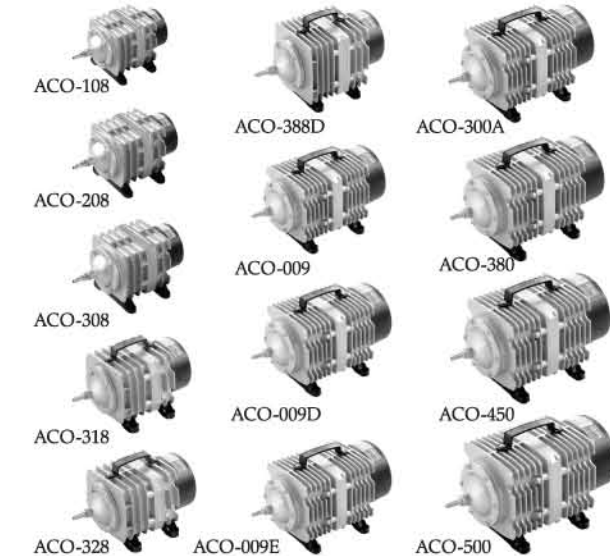


SUGGESTIONS FOR SAFETY

1. Ensure that the power source to be utilized conforms to the power requirements specified on the product nameplate. Use a standard AC outlet.
2. This appliance should be grounded while in use to protect the operator from electric shock.
3. Neither carry the machine by the power supply cord, nor place heavy items on top of it. Do not use the equipment if the cable or plug is damaged.

4. In order to avoid the water flowing back, the machine must be put above the water level or install a check valve on the outlet pipe.
5. Clean the filter sponge within two months in order to guarantee the air is pure.
6. During operation the sound is interrupted of indicators no longer illuminate, or if and when anything abnormal occurs, immediately unplug the power cord from the outlet and contact with our dealer or an Authorized service center.
7. The unit is non-oil lubricating design, please note that don't add any oil lubrication.
8. Unplug the appliance, wipe the it with a soft cloth lightly dampened with soapy water. Do not wipe the plastic parts with solvent.
9. Place the unit horizontally on the base, avoid colliding with other things directly.
10. Please keep the machine away from high temperature, sunshine, damp or dust.
11. Disconnect the power supply plug if the appliance will not be used for a long time.
12. Never attempt to repair nor reconstruct this unit. Let qualified technicians check and repair your unit.

SERIES PRODUCTS



GUANGDONG HAILEA GROUP CO., LTD.

FACTORY ADDRESS : SINLI INDUSTRIAL AREA , SINLI ROAD, RAOPING COUNTY, GUANGDONG PROVINCE, 515700, CHINA

Tel: 86-768-8888888 Fax: 86-768-8883813

www.hailea.com

HAILEA®

ELECTRICAL MAGNETIC AIR COMPRESSOR SERIES

INSTRUCTION MANUAL



Before operating the appliance, please read this instruction manual completely & keep it handy for future reference.

